

### Colors of Rendered Objects

Node | Display Properties

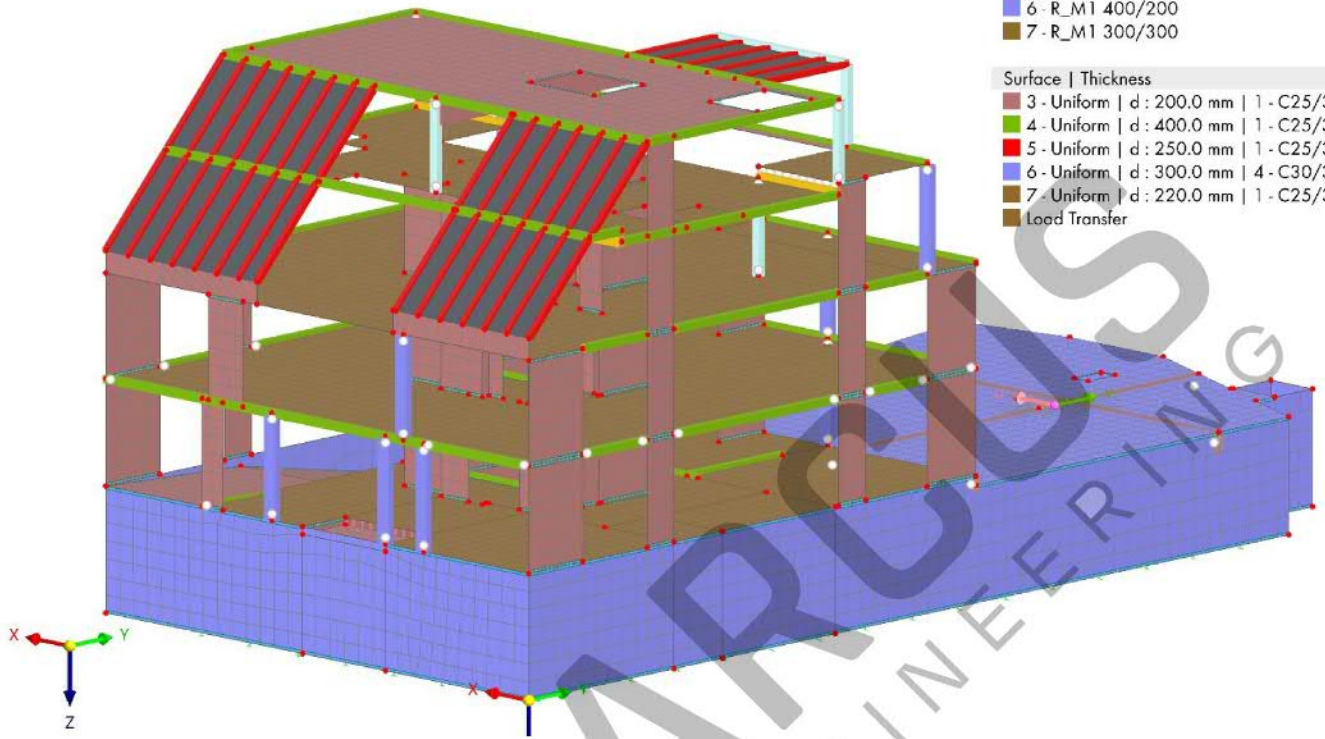
Line | Display Properties

Member | Section

- 1 - R\_M1 250/200
- 2 - R\_M1 200/300
- 3 - R\_M1 350/600
- 4 - R\_M1 200/220
- 5 - R\_M1 160/160
- 6 - R\_M1 400/200
- 7 - R\_M1 300/300

Surface | Thickness

- 3 - Uniform | d : 200.0 mm | 1 - C25/30
- 4 - Uniform | d : 400.0 mm | 1 - C25/30
- 5 - Uniform | d : 250.0 mm | 1 - C25/30
- 6 - Uniform | d : 300.0 mm | 4 - C30/37
- 7 - Uniform | d : 220.0 mm | 1 - C25/30
- Load Transfer



### Colors of Rendered Objects

Node | Display Properties

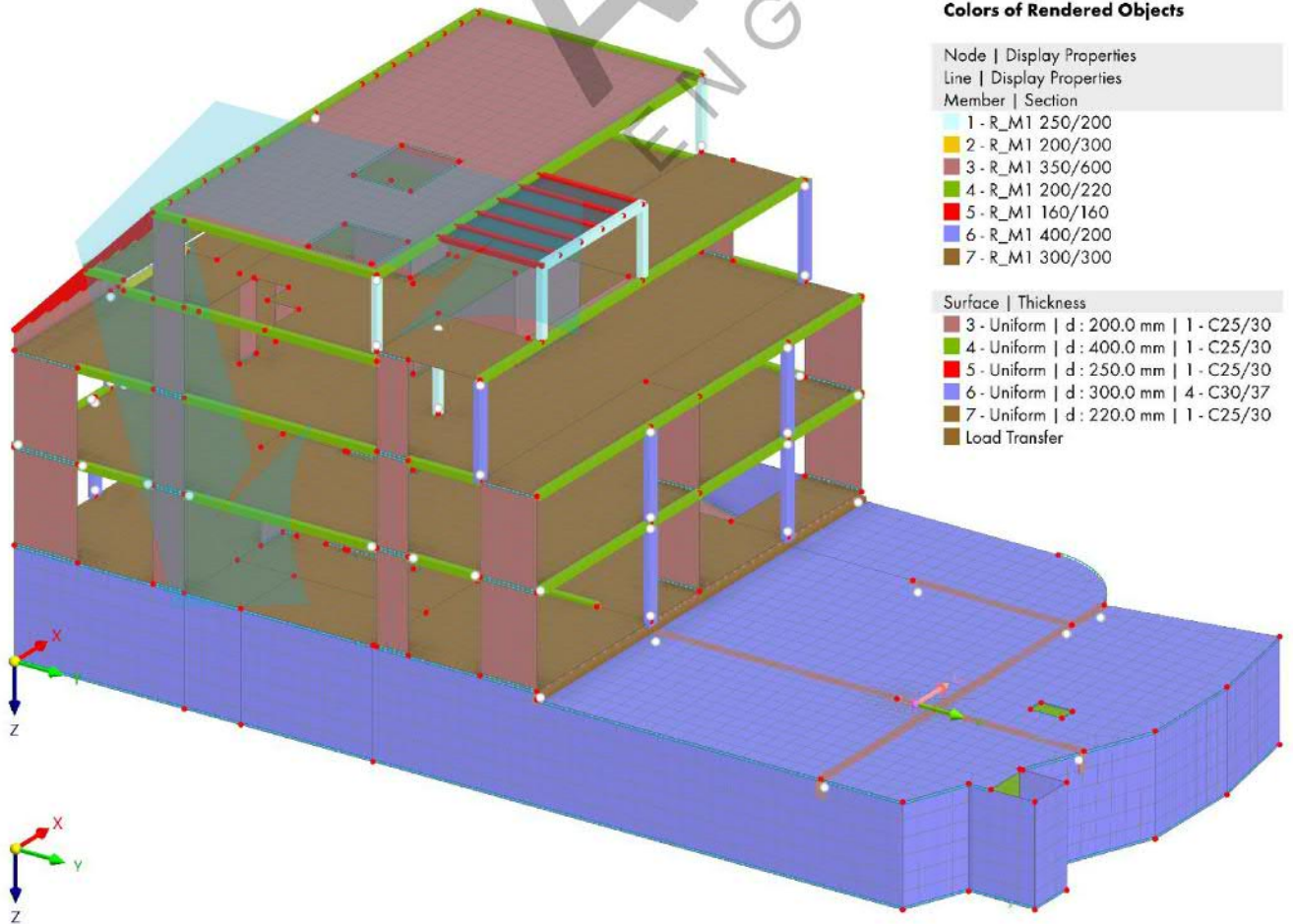
Line | Display Properties

Member | Section

- 1 - R\_M1 250/200
- 2 - R\_M1 200/300
- 3 - R\_M1 350/600
- 4 - R\_M1 200/220
- 5 - R\_M1 160/160
- 6 - R\_M1 400/200
- 7 - R\_M1 300/300

Surface | Thickness

- 3 - Uniform | d : 200.0 mm | 1 - C25/30
- 4 - Uniform | d : 400.0 mm | 1 - C25/30
- 5 - Uniform | d : 250.0 mm | 1 - C25/30
- 6 - Uniform | d : 300.0 mm | 4 - C30/37
- 7 - Uniform | d : 220.0 mm | 1 - C25/30
- Load Transfer



Visibility mode  
 LC1 - Eigengewicht  
 Static Analysis  
 Forces N [kN]

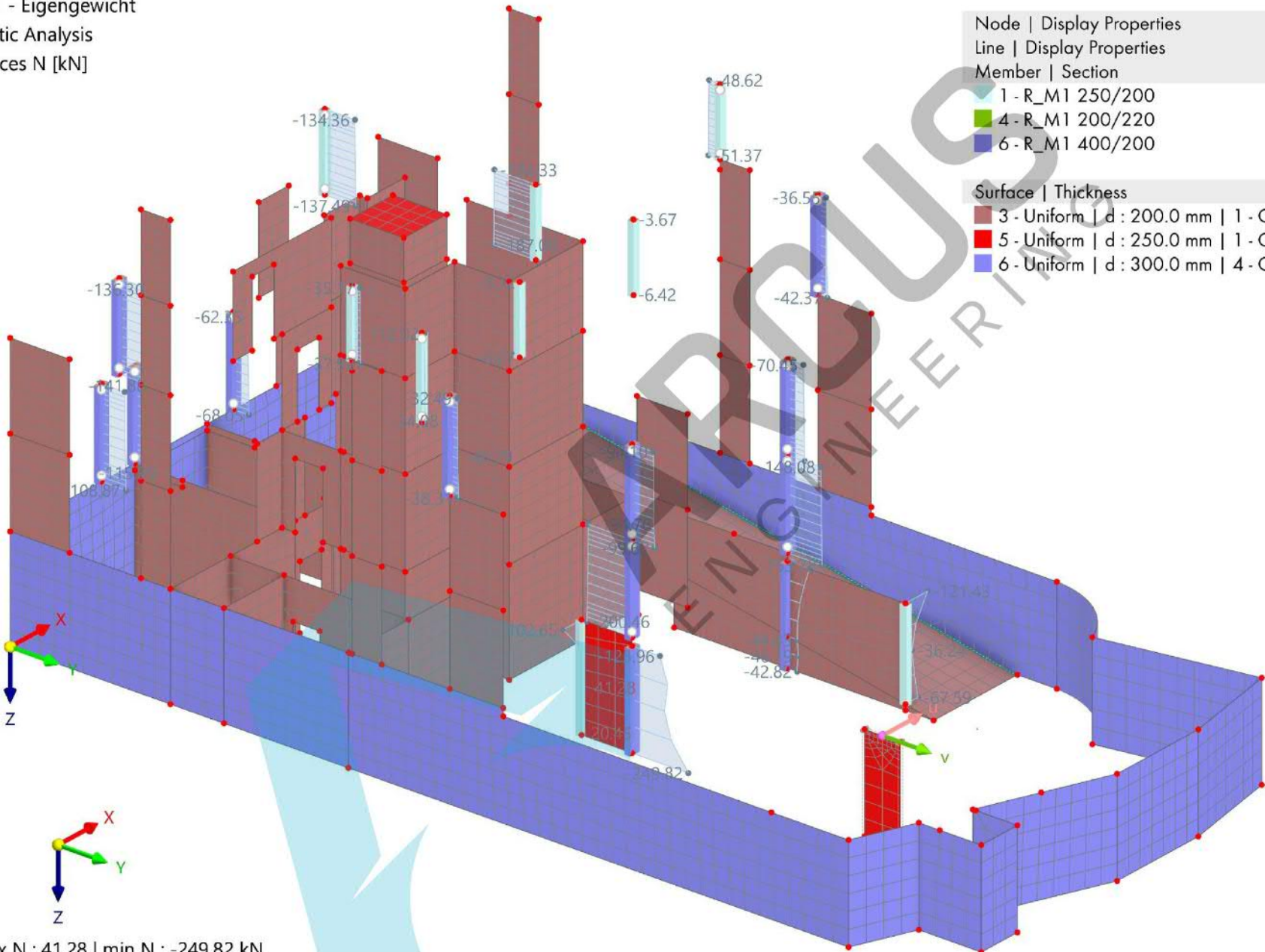
**Colors of Rendered Objects**

Node | Display Properties  
 Line | Display Properties  
 Member | Section

- 1 - R\_M1 250/200
- 4 - R\_M1 200/220
- 6 - R\_M1 400/200

Surface | Thickness

- 3 - Uniform | d : 200.0 mm | 1 - C25/30
- 5 - Uniform | d : 250.0 mm | 1 - C25/30
- 6 - Uniform | d : 300.0 mm | 4 - C30/37



max N : 41.28 | min N : -249.82 kN



Visibility mode

LC1 - Eigengewicht

Static Analysis

Members | Forces N [kN]

Surfaces | Axial Forces  $n_{xy}$  [kN/m]

### Colors of Rendered Objects

Node | Display Properties

Line | Display Properties

Member | Section

Surface | Thickness

3 - Uniform | d : 200.0 mm | 1 - C25/30

5 - Uniform | d : 250.0 mm | 1 - C25/30

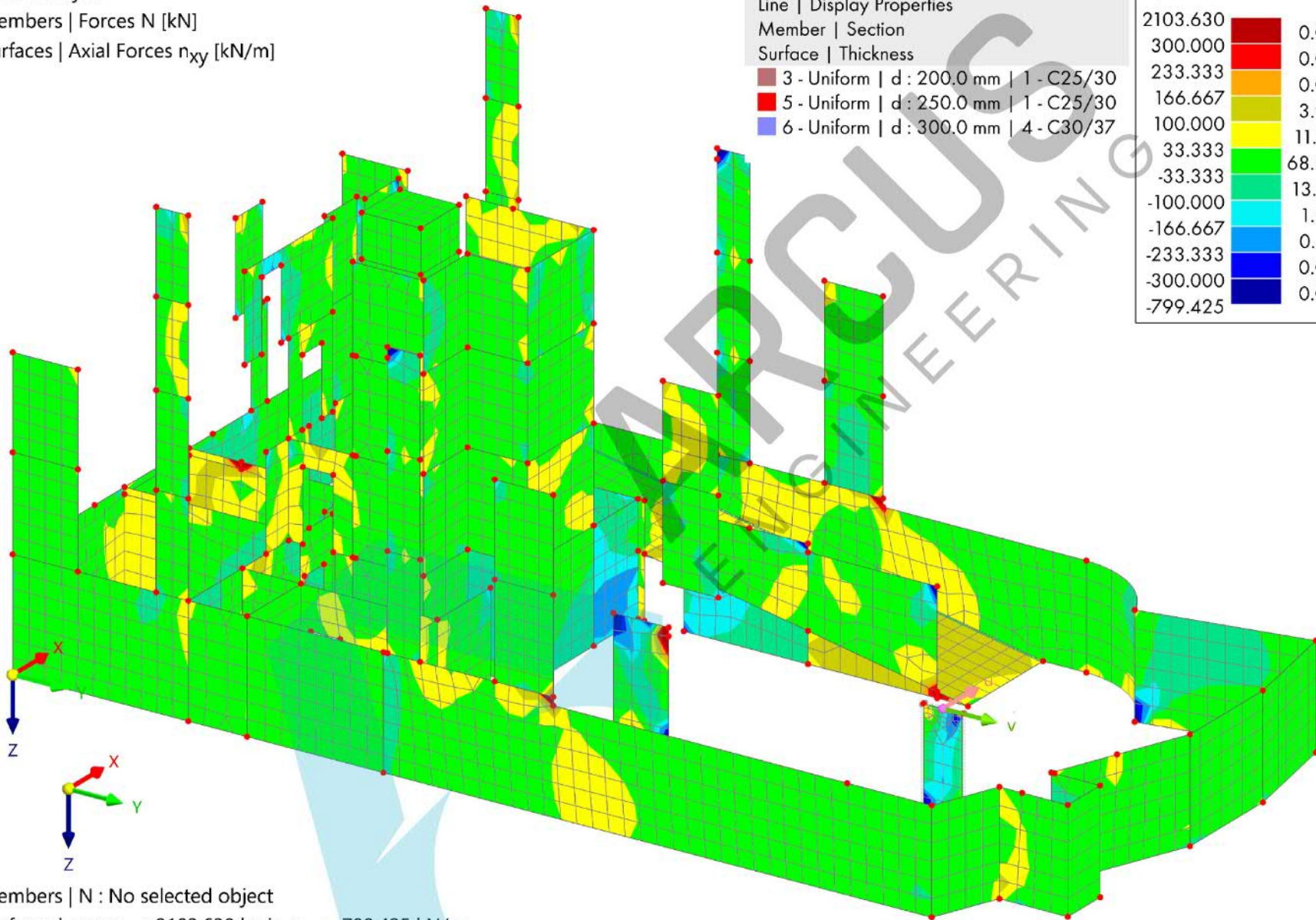
6 - Uniform | d : 300.0 mm | 4 - C30/37

Surfaces | Internal Forces |

Basic Internal Forces

$n_{xy}$  [kN/m]

2103.630	0.05 %
300.000	0.04 %
233.333	0.09 %
166.667	3.92 %
100.000	11.76 %
33.333	68.33 %
-33.333	13.81 %
-100.000	1.39 %
-166.667	0.47 %
-233.333	0.08 %
-300.000	0.06 %
-799.425	



Members | N : No selected object

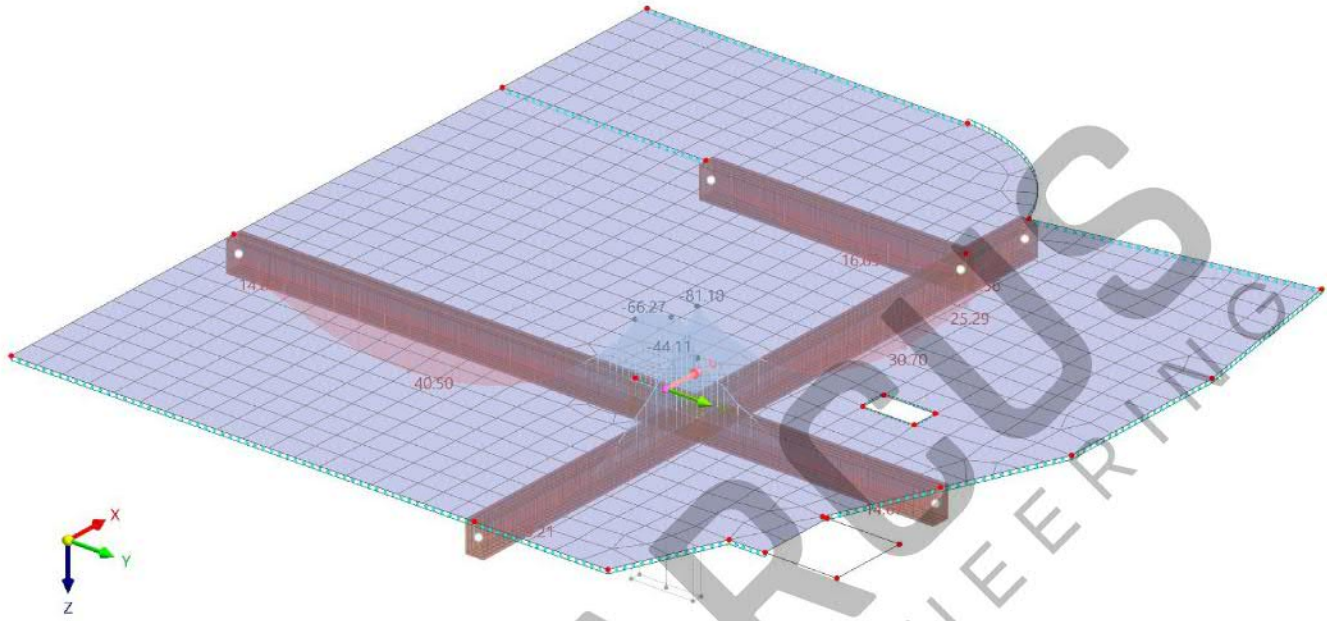
Surfaces | max  $n_{xy}$  : 2103.630 | min  $n_{xy}$  : -799.425 kN/m

Visibility mode  
LC1 - Eigengewicht  
Static Analysis  
Moments  $M_y$  [kNm]

**Colors of Rendered Objects**

Node | Display Properties  
Line | Display Properties  
Member | Section  
■ 3 - R\_M1 350/600

Surface | Thickness  
■ 6 - Uniform | d : 300.0 mm | 4 - C30/37



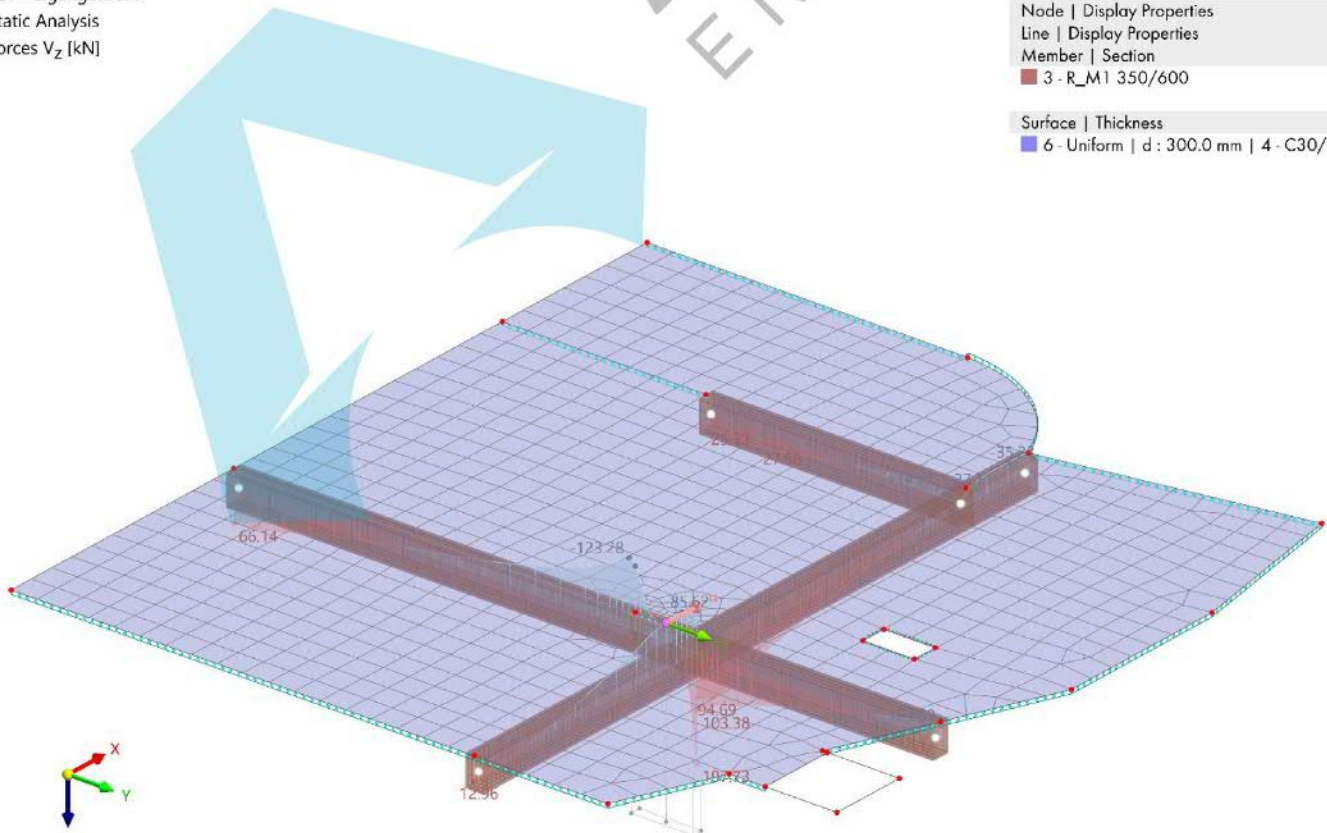
max  $M_y$  : 40.50 | min  $M_y$  : -81.10 kNm

Visibility mode  
LC1 - Eigengewicht  
Static Analysis  
Forces  $V_z$  [kN]

**Colors of Rendered Objects**

Node | Display Properties  
Line | Display Properties  
Member | Section  
■ 3 - R\_M1 350/600

Surface | Thickness  
■ 6 - Uniform | d : 300.0 mm | 4 - C30/37



max  $V_z$  : 197.73 | min  $V_z$  : -123.28 kN